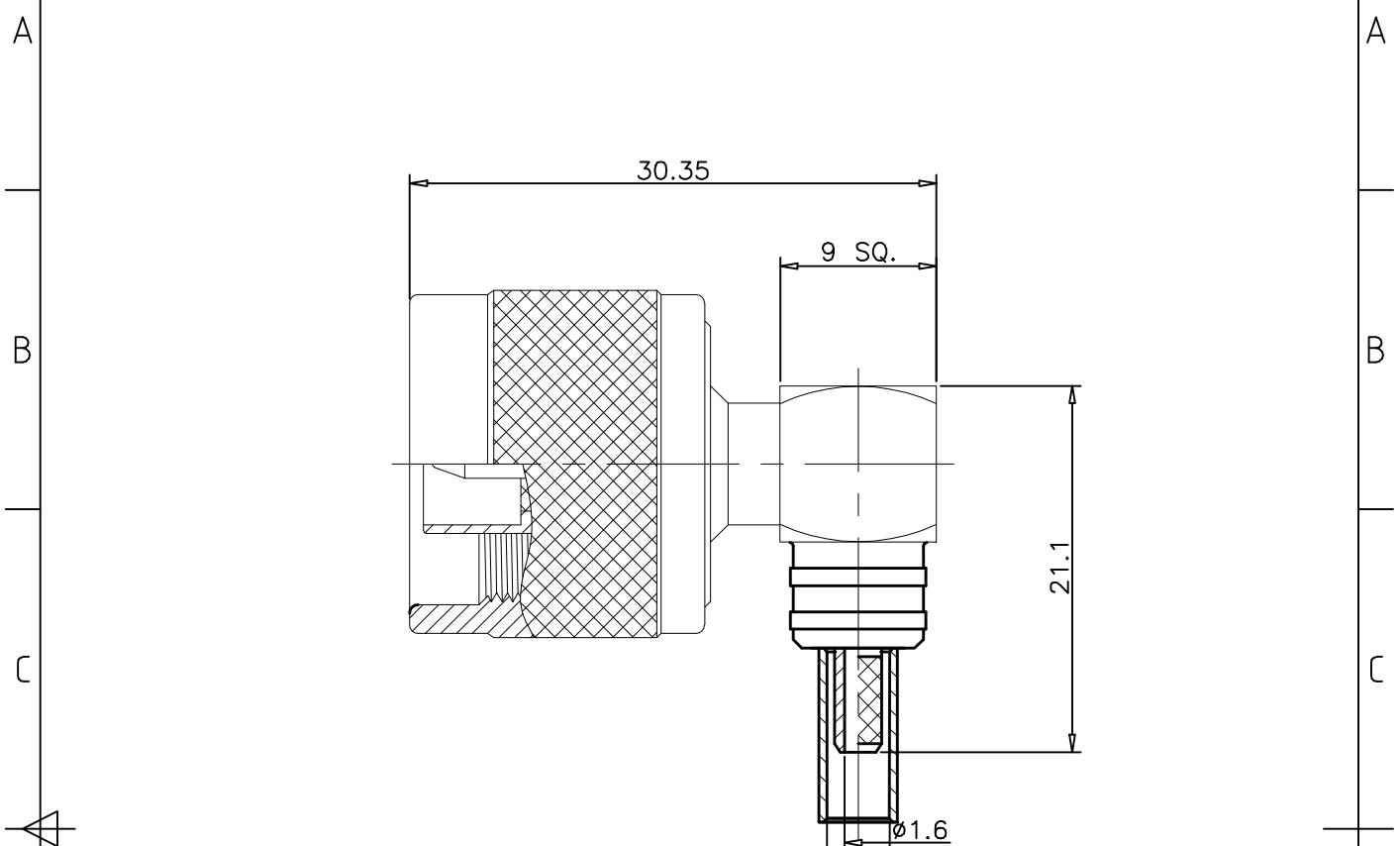


1	2	3	4
RevNo	Revision note	Date	Signature
00	Sketch Only	6/3/14	Teresa
			Checked
			Simon



Interface Per: MIL-C-39012, IEC 60169-16

Material & Finishing:

1. Center condutor: Brass, Gold Plating
2. Insulators: PTFE
3. Gasket: Silicone Rubber
4. Body & Other Metal: Brass, Nickel Plating
5. Coupling Nut: Brass, Nickel Plating
6. Snap Ring: Phosphor Bronze

RoHS Compliant.

ALL DIMENSIONS ARE IN MILLIMETERS AND [INCHES]

Title			
N male right angle crimp for RG316D			

KERUI ELECTRONIC CO;LTD

THESE DRAWING & SPEC. ARE THE PROPERTY OF KERUI ELECTRONIC CO;LTD AND SHALL NOT BE REPRODUCED, OR COPIED OR USED AS THE BASIS FOR THE MANUFACTURE OR SALE OF APPARATUS OR DEVICES WITHOUT THEIR EXPRESS WRITTEN CONSENT.

UNLESS OTHERWISE NOTED ALL SURFACES FINISHED TO 64/MAX.  
 ALL TOLERANCES ARE:  
 DECIMALS    FRACTIONS    ANGLES  
 x ± 1.0    ±1/64    x' ± 1'  
 x.x ± 0.5          x'x' ± 0.5  
 x.xx ± 0.1            

Drawn by Teresa	Ckd by Simon	Appd by Richard	Date 6/3/2014
Scale 2.5:1	Sheet 1 of 1	80 1011 116 01	